

南アフリカ Admiralty Jurisdiction Regulation

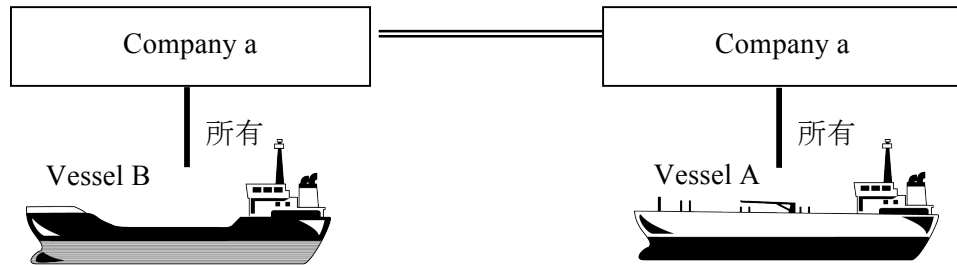
Vessel A= associated ship  
Vessel B= ship concerned

条項

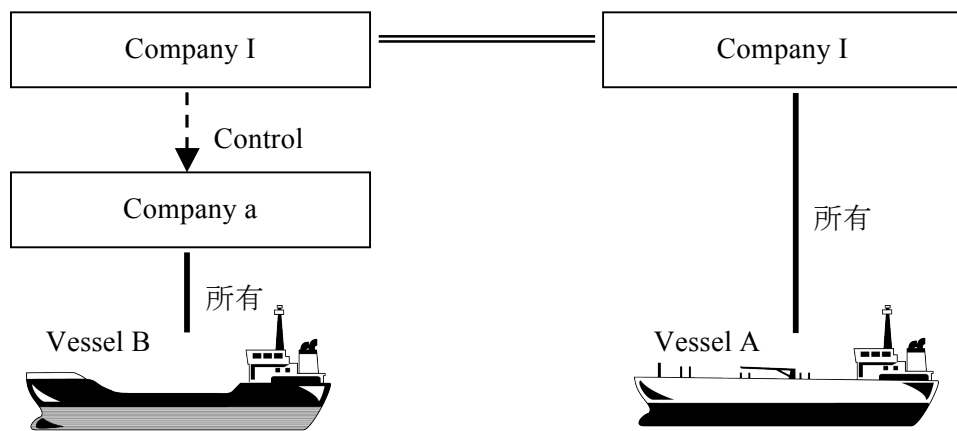
海事請求権発生時点

差押え時点

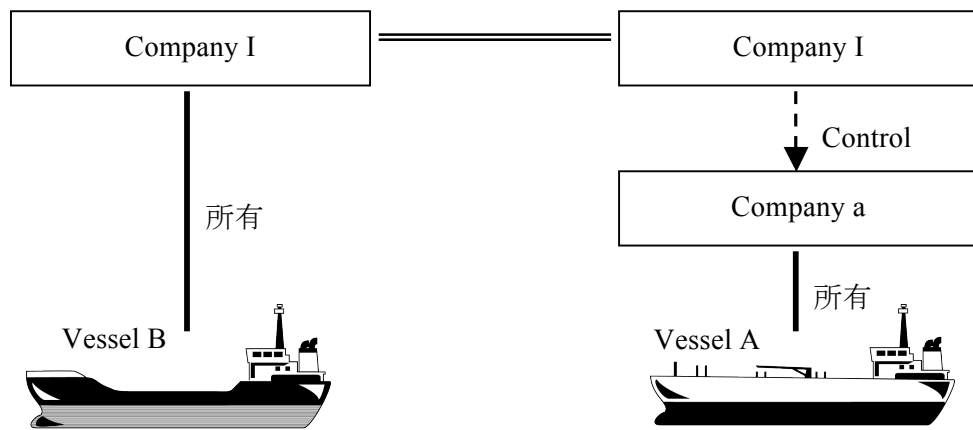
7. a. i



7. a. ii



7. a. iii



7. a. iii

